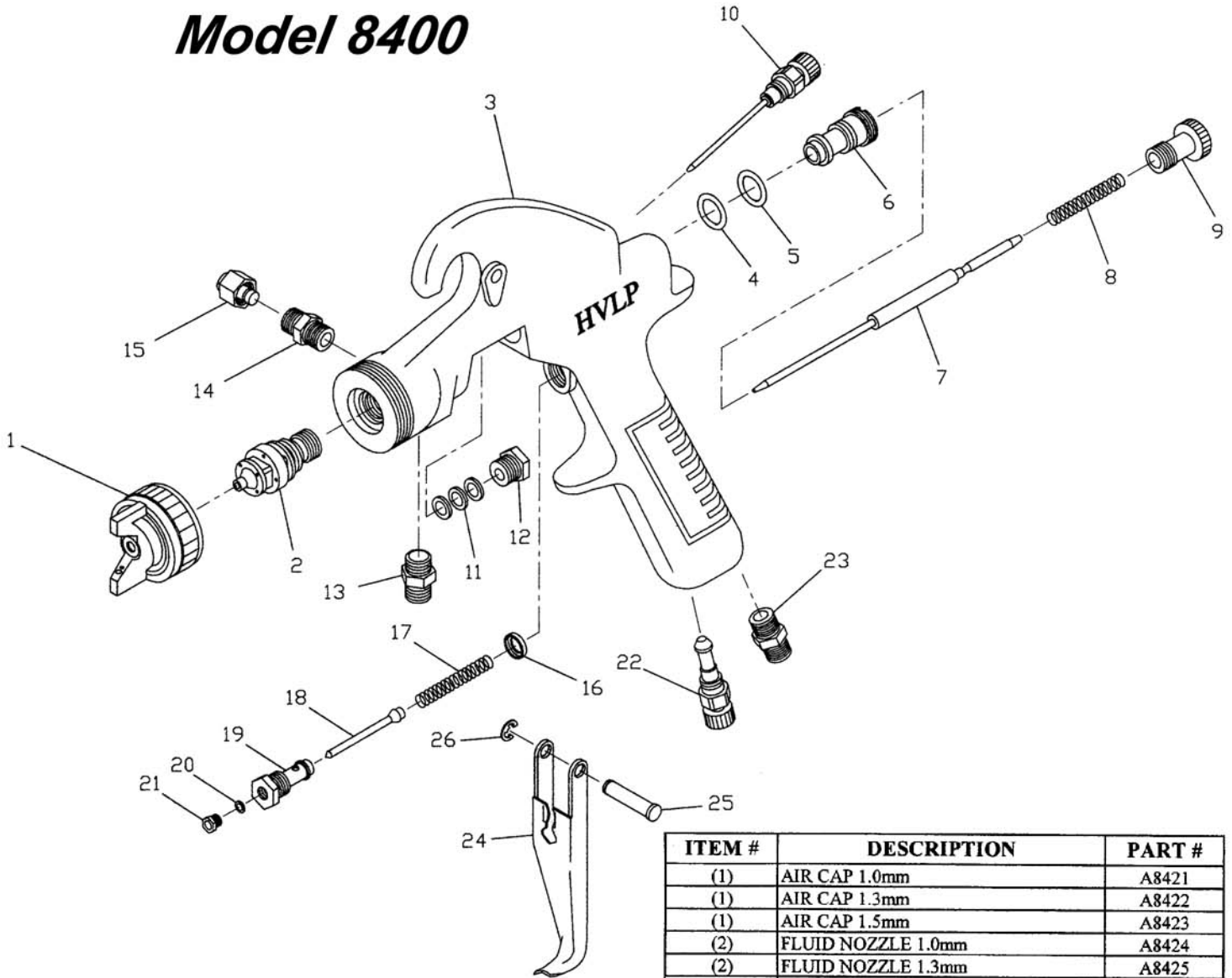


ApolloSpray™ HVLP Spray Gun

Model 8400



ITEM #	DESCRIPTION	PART #
(1)	AIR CAP 1.0mm	A8421
(1)	AIR CAP 1.3mm	A8422
(1)	AIR CAP 1.5mm	A8423
(2)	FLUID NOZZLE 1.0mm	A8424
(2)	FLUID NOZZLE 1.3mm	A8425
(2)	FLUID NOZZLE 1.5mm	A8426
(3)	GUN BODY	A8427
(4)	GASKET	A8428
(5)	O RING	A8429
(6)	NEEDLE VALVE GUIDE	A8430
(7)	FLUID NEEDLE 1.0mm	A8431
(7)	FLUID NEEDLE 1.3mm	A8432
(7)	FLUID NEEDLE 1.5mm	A8433
(8)	NEEDLE SPRING	A8434
(9)	FLUID ADJUSTING KNOB	A8435
(10)	FAN ADJUSTING VALVE SET	A8436
(11)	GLAND SEAL (3 required)	A8437
(12)	GLAND NUT	A8438
(13)	FLUID CONNECTOR	A8439
(14)	FLUID CONNECTOR	A8439
(15)	MATERIAL INLET CAP	A8440
(16)	TRIGGER AIR VALVE GASKET	A8441
(17)	AIR VALVE SPRING	A8442
(18)	AIR VALVE NEEDLE	A8443
(19)	AIR VALVE SEAL	A8444
(20)	TRIGGER AIR VALVE GLAND SEAL	A8437
(21)	TRIGGER AIR VALVE GLAND NUT	A8445
(22)	AIR ADJUSTING VAVLE SET	A8446
(23)	AIR HOSE CONNECTOR	A8447
(24)	TRIGGER	A8448
(25)	TRIGGER BUSHING	A8449
(26)	TRIGGER CIR CLIP (1)	A8450

Apollo Sprayers Inc.
 1030 Joshua Way
 Vista, CA 92083
 Parts: 760-727-8300
 Fax: 760-727-9325
 email: apollo@hvlp.com