

# Model A5030 (Gravity Feed)

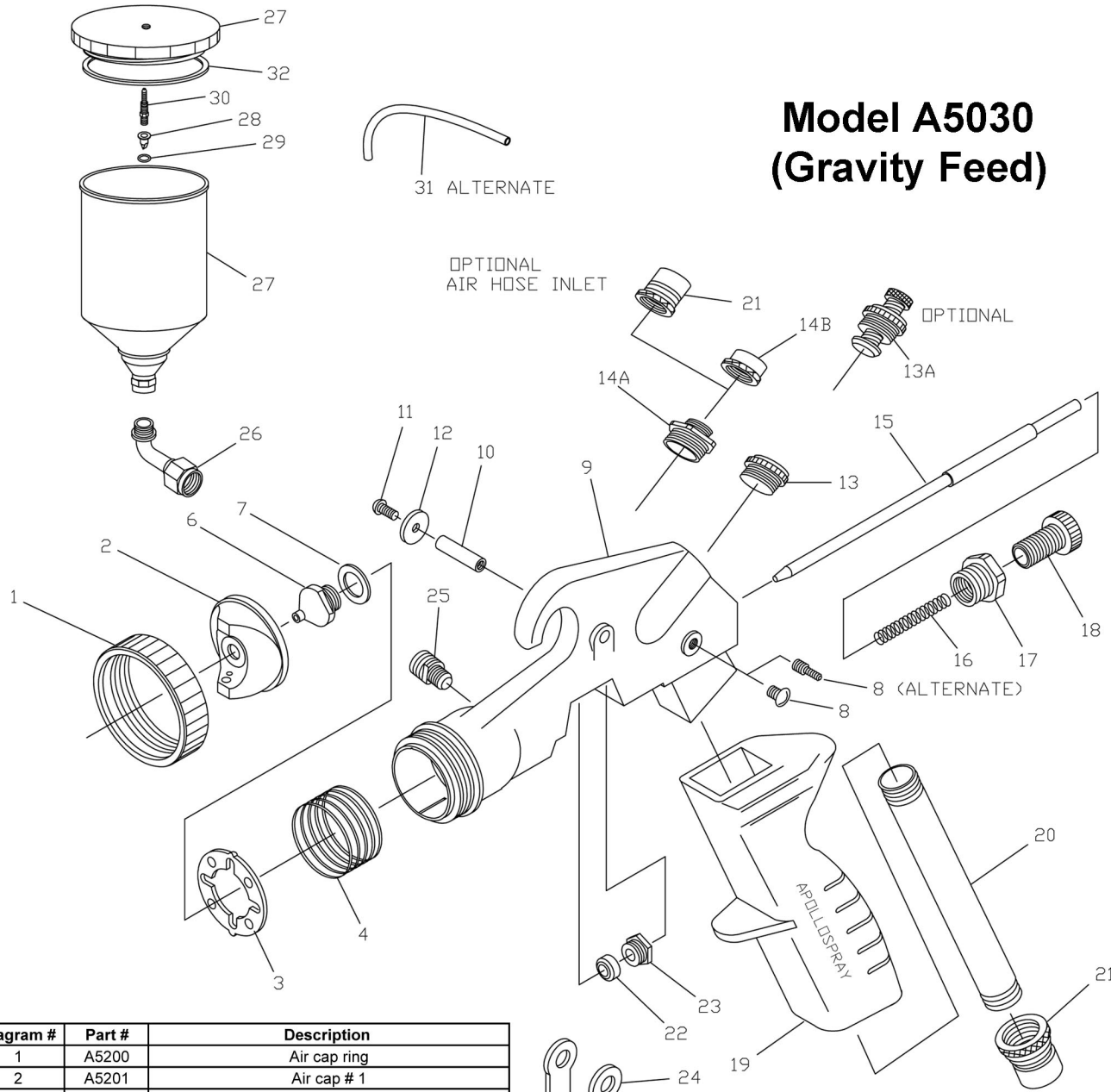


Diagram #	Part #	Description
1	A5200	Air cap ring
2	A5201	Air cap # 1
2	A5297	Air cap # 2
3	A5203	Air distributor plate (stainless)
4	A5204	Air distributor spring (stainless)
6	A5206	Fluid nozzle/jet (stainless) .75MM
6	A5207	Fluid nozzle/jet (stainless) 1.00MM
6	A5208	Fluid nozzle/jet (stainless) 1.50MM
6	A5208-2	Fluid nozzle/jet (stainless) 2.00MM
6	A5209	Fluid nozzle/jet (stainless) 2.50MM
7	A5210	Fluid nozzle gasket
8	A5246	Air feed blanking screw (stainless)
8	A5211	Air Feed Connector (alternate)
9	A5212	Gun casting (main body)
10	A5213	Trigger bushing
11	A5214	Trigger pivot screw (stainless)
12	A5215	Trigger screw washer
13	A5202	Air blanking plug
13a	A5257	Air control texturing valve
14a	A5216	Upper port insert
14b	A5217	Air blanking plug
15	A5218	Needle (stainless) .75MM
15	A5219	Needle (stainless) 1.00MM
15	A5220	Needle (stainless) 1.50MM
15	A5220-2	Needle (stainless) 2.00MM
15	A5221	Needle (stainless) 2.50MM
16	A5222	Needle spring (stainless)
17	A5223	Flow screw insert
18	A5224	Material flow adjusting screw
19	A5225	Gun casting (handle)
20	A5226L	Handle tube

Diagram #	Part #	Description
21	A5227	Q/R handle coupler
22	A5228	Gland seal
23	A5229	Gland nut (stainless)
24	A5230	Trigger (stainless)
25	A5031	Fluid connector, side (stainless)
26	A5035	Elbow adapter (stainless)
27	A5033	250cc Gravity Feed Cup with Teflon coating
27	A5034	600cc Gravity Feed Cup with Teflon Coating
28	A5321	Duckbill Check Valve, Black Nylon
29	A5322	Air Check Valve O-ring, White Teflon
30	A5323	Air Stem for duckbill check valve
31	A5299	Air Feed Tube 15"
32	A5038	Gasket for 250cc cup
32	A5039	Gasket for 600cc cup