

A4200 - 2 quart (2 liter) Pressure Pot Parts List & Diagram

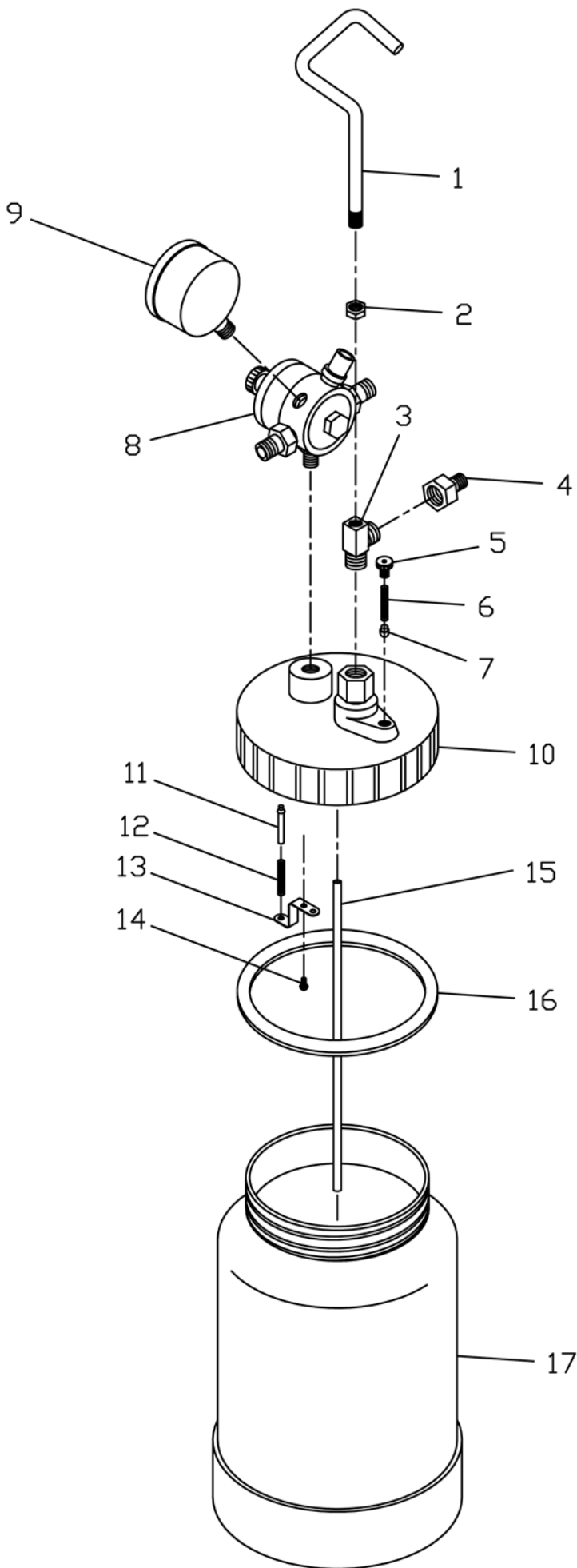


Diagram #	Part #	Description	Quantity
1	A4601	Handle	1
2	A4602	Handle lock nut	1
3	A4603	Fluid outlet	1
4	A4150	Fluid adapter	1
5	A4608	Relief valve stem	1
6	A4615	Relief valve spring	1
7	A4617	Relief valve plug	1
8	A4607	Air regulator assembly	1
9	A4211	0-30 psi pressure gauge	1
10	A4604	Cup top casting assembly	1
11	A4605	Check valve	1
12	A4612	Check valve spring	1
13	A4613	Check valve bracket	1
14	A4614	Check valve screw	1
15	A4610	Material pickup tube, S.S.	1
16	A4609	Cup top gasket	1
17	A4611	2-quart cup with Teflon	1

Apollo Sprayers Int'l., Inc.
1030 Joshua Way
Vista, CA 92083
Phn. (760) 727-8300
Fax: (760) 727-9325